

# Model: PA3N200B48H

Motor: BE92DC

## ◆ 1.General Characters

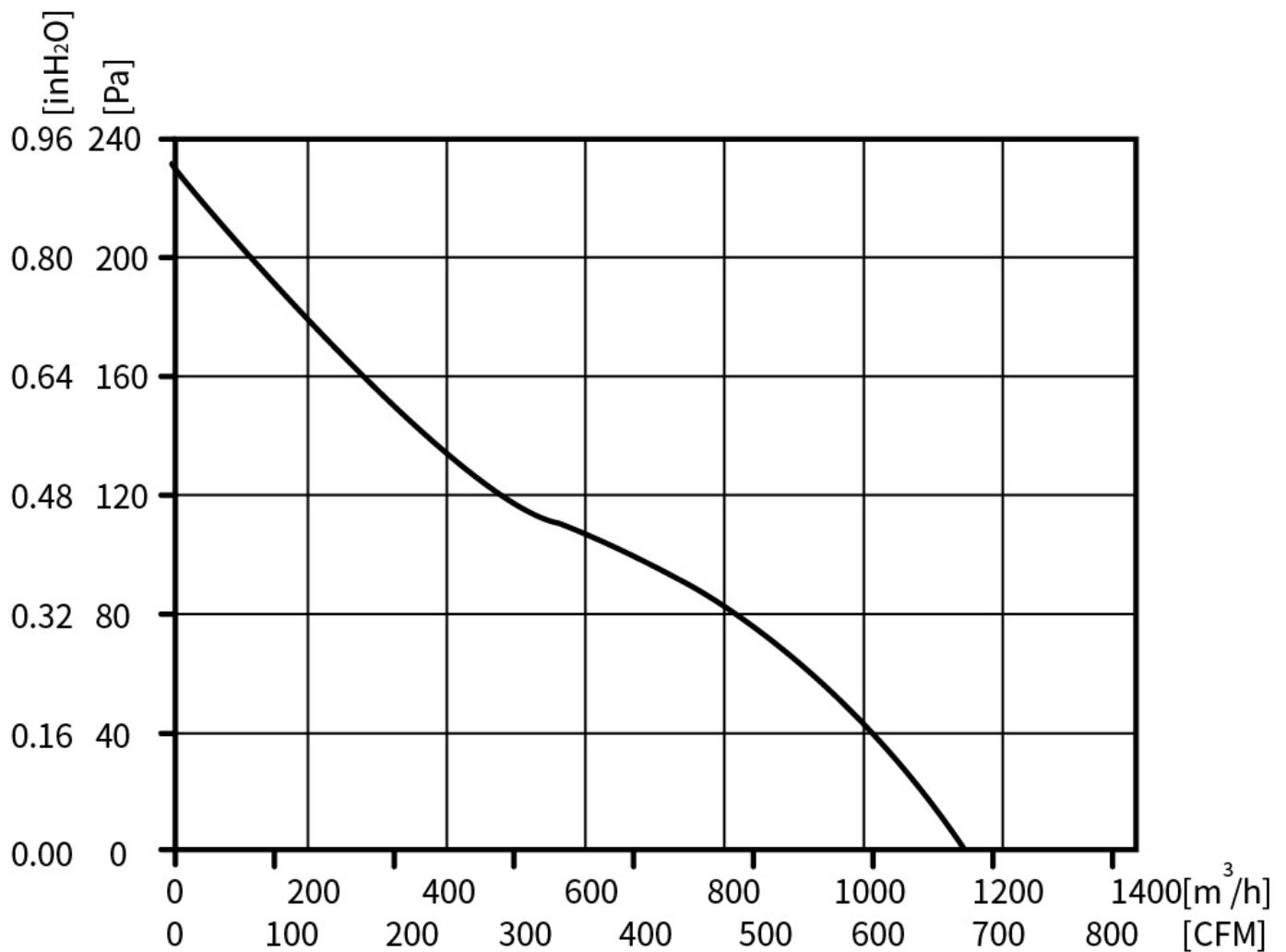
1-1	Rated Voltage	48VDC
1-2	Operating Voltage	36~57 VDC
1-3	Rated Speed	2750 RPM
1-4	Input Current	0.9 A
1-5	Input Power	43.2 W
1-6	Air Flow	676.78 CFM / 1150 m <sup>3</sup> /H
1-7	Static Pressure	0.94 inH <sub>2</sub> O / 236 Pa
1-8	Acoustical Noise	60 dB(A)
1-9	Life Expectance	50,000 Hours(L10) At 40°C room, humidity 15%~65%RH.
1-10	Insulation Class	Class B
1-11	Motor Protection	Locked rotor protection Polarity protection Automatic restart capability
1-13	Speed Control	Control input 0~10VDC / PWM
1-14	Protection Type	IP44
1-15	Signal Output	FG (Frequency Generator)

**Model: PA3N200B48H****Motor: BE92DC****◆ 2. Mechanical Characters**

2-1	Dimension	Ø200mm X 80mm (see dimension drawing)
2-2	Material of Impeller	Cold rolled steel sheet
2-3	Number of Blades	7
2-4	Bearing System	NMB ball bearing
2-5	Lead Wire	AC(AWG20#), DC(AWG22 #)

**◆ 3. Environmental Characters**

3-1	Operating Temperature	-25°C to 60°C
3-2	Storage Temperature	-40°C to 75°C
3-3	Operating Humidity	5% to 90% RH
3-4	Storage Humidity	5% to 95% RH

**Model: PA3N200B48H****Motor: BE92DC****◆ 4. Performance Curve****Testing Condition**

Input Voltage----Operating voltage (48VDC)

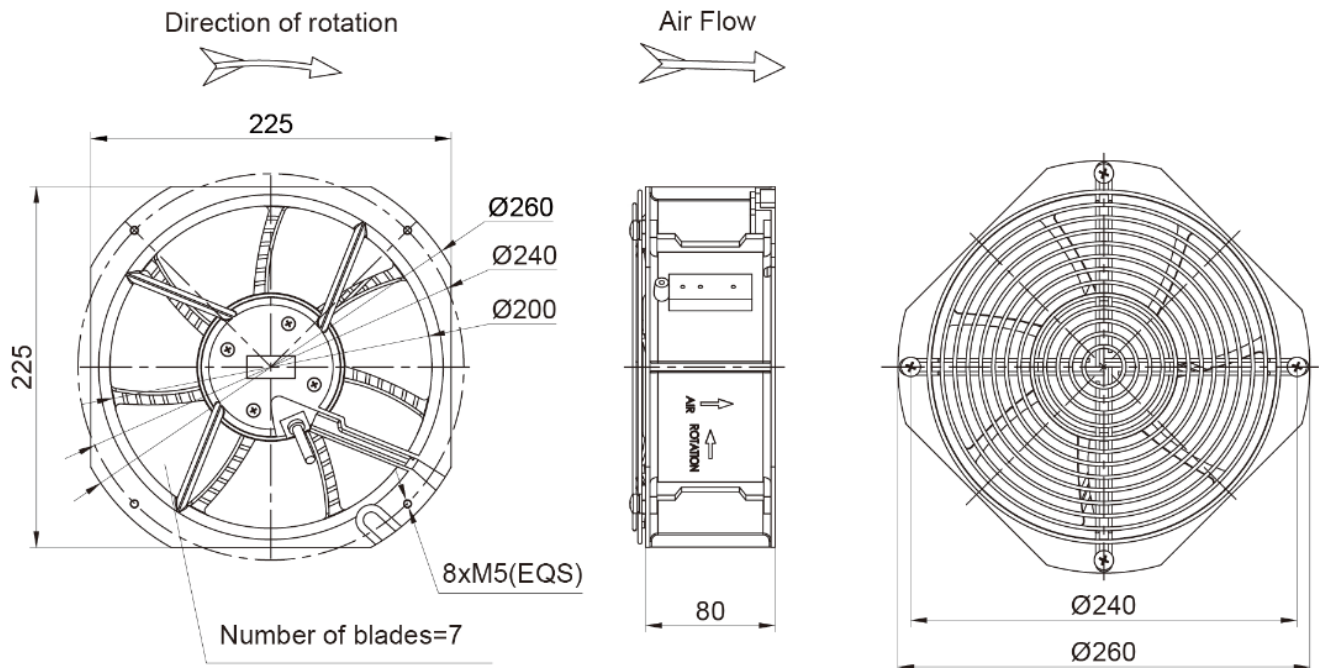
Temperature-----Room temperature

Humidity-----65%RH

## Model: PA3N200B48H

Motor: BE92DC

### ◆ 5. Outline Drawing



#### Note

- 1.Connection line:DC(4×AWG22#)
- 2.DC: Red=Voltage Input 48VDC, Yellow=0-10VDC/PWM, White=FG, Blue=GND;