

# Model: PA3N215B48H

Motor: BE72DC

## ◆ 1.General Characters

|      |                   |  |
|------|-------------------|--|
| 1-1  | Rated Voltage     | 48VDC  |
| 1-2  | Operating Voltage | 36~57 VDC  |
| 1-3  | Rated Speed       | 2500 RPM   |
| 1-4  | Input Current     | 0.75 A   |
| 1-5  | Input Power       | 72 W   |
| 1-6  | Air Flow          | 829.79 CFM / 1410 m <sup>3</sup> /H  |
| 1-7  | Static Pressure   | 0.76 inH <sub>2</sub> O / 190 Pa   |
| 1-8  | Acoustical Noise  | 65 dB(A)   |
| 1-9  | Life Expectance   | 50,000 Hours(L10)<br>At 40°C room, humidity 15%~65%RH.                         |
| 1-10 | Insulation Class  | Class B  |
| 1-11 | Motor Protection  | Locked rotor protection<br>Polarity protection<br>Automatic restart capability |
| 1-13 | Speed Control     | Control input 0~10VDC / PWM  |
| 1-14 | Protection Type   | IP44   |
| 1-15 | Signal Output     | FG (Frequency Generator)   |

**Model: PA3N215B48H**

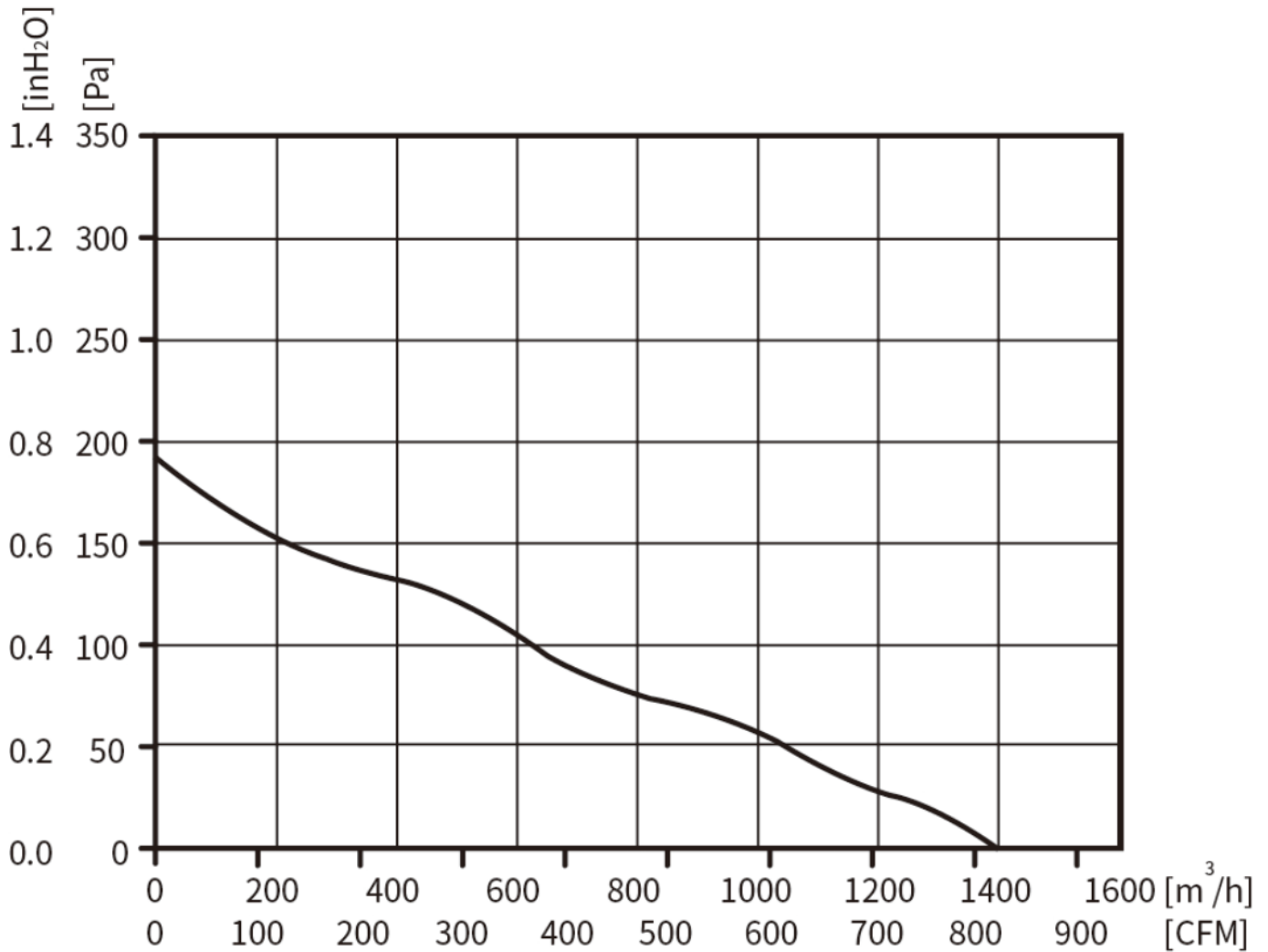
**Motor: BE72DC**

## ◆ 2. Mechanical Characters

|     |                      |   |
|-----|----------------------|---|
| 2-1 | Dimension            | Ø215mm X 89.8mm (see dimension drawing) |
| 2-2 | Material of Impeller | PA6+GF                                  |
| 2-3 | Number of Blades     | 7                                       |
| 2-4 | Bearing System       | NMB ball bearing                        |
| 2-5 | Lead Wire            | AC(AWG20#), DC(AWG22 #)                 |

## ◆ 3. Environmental Characters

|     |                       |               |
|-----|-----------------------|---------------|
| 3-1 | Operating Temperature | -25°C to 60°C |
| 3-2 | Storage Temperature   | -40°C to 75°C |
| 3-3 | Operating Humidity    | 5% to 90% RH  |
| 3-4 | Storage Humidity      | 5% to 95% RH  |

**Model: PA3N215B48H****Motor: BE72DC****◆ 4. Performance Curve****Testing Condition**

Input Voltage----Operating voltage (48VDC)

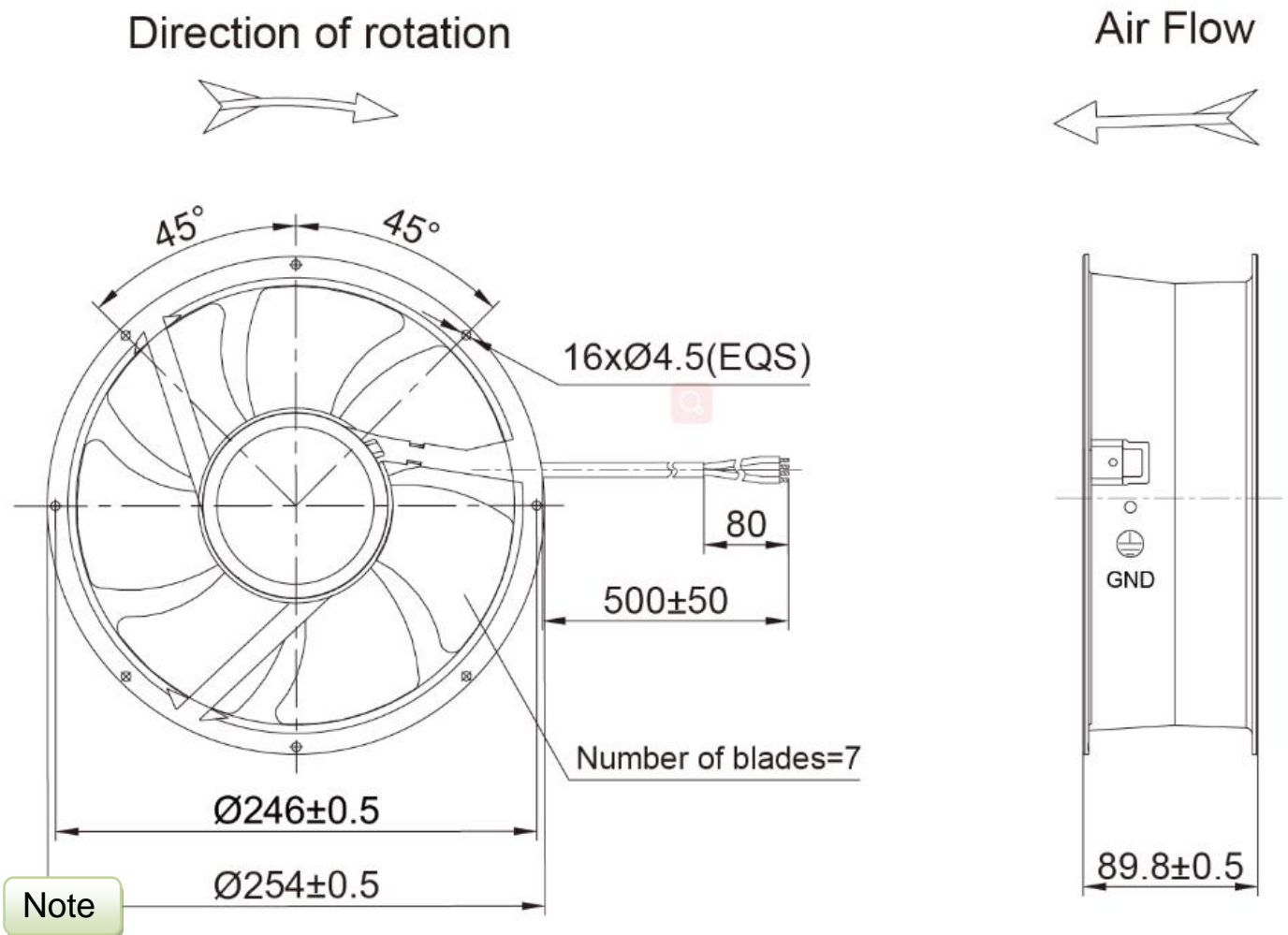
Temperature-----Room temperature

Humidity-----65%RH

**Model: PA3N215B48H**

**Motor: BE72DC**

◆ **5. Outline Drawing**



1. Connection line: DC(4×AWG22#)

2. DC: Red=Voltage Input 48VDC, Yellow=0-10VDC/PWM, White=FG, Blue=GND;