

Model: PS3N097B48M

Motor: BE53DC

◆ 1.General Characters

| | | |
|------|-------------------|--|
| 1-1 | Rated Voltage | 48VDC |
| 1-2 | Operating Voltage | 36~57 VDC |
| 1-3 | Rated Speed | 3650 RPM |
| 1-4 | Input Current | 1.6 A |
| 1-5 | Input Power | 76.8 W |
| 1-6 | Air Flow | 123.59 CFM / 210 m ³ /H |
| 1-7 | Static Pressure | 2.96 inH ₂ O / 740 Pa |
| 1-8 | Acoustical Noise | 67 dB(A) |
| 1-9 | Life Expectance | 50,000 Hours(L10) At 40°C room, humidity 15%~65%RH. |
| 1-10 | Insulation Class | Class B |
| 1-11 | Motor Protection | Locked rotor protection Polarity protection Automatic restart capability |
| 1-13 | Speed Control | Control input 0~10VDC / PWM |
| 1-14 | Protection Type | IP44 |
| 1-15 | Signal Output | FG (Frequency Generator) |

Model: PS3N097B48M

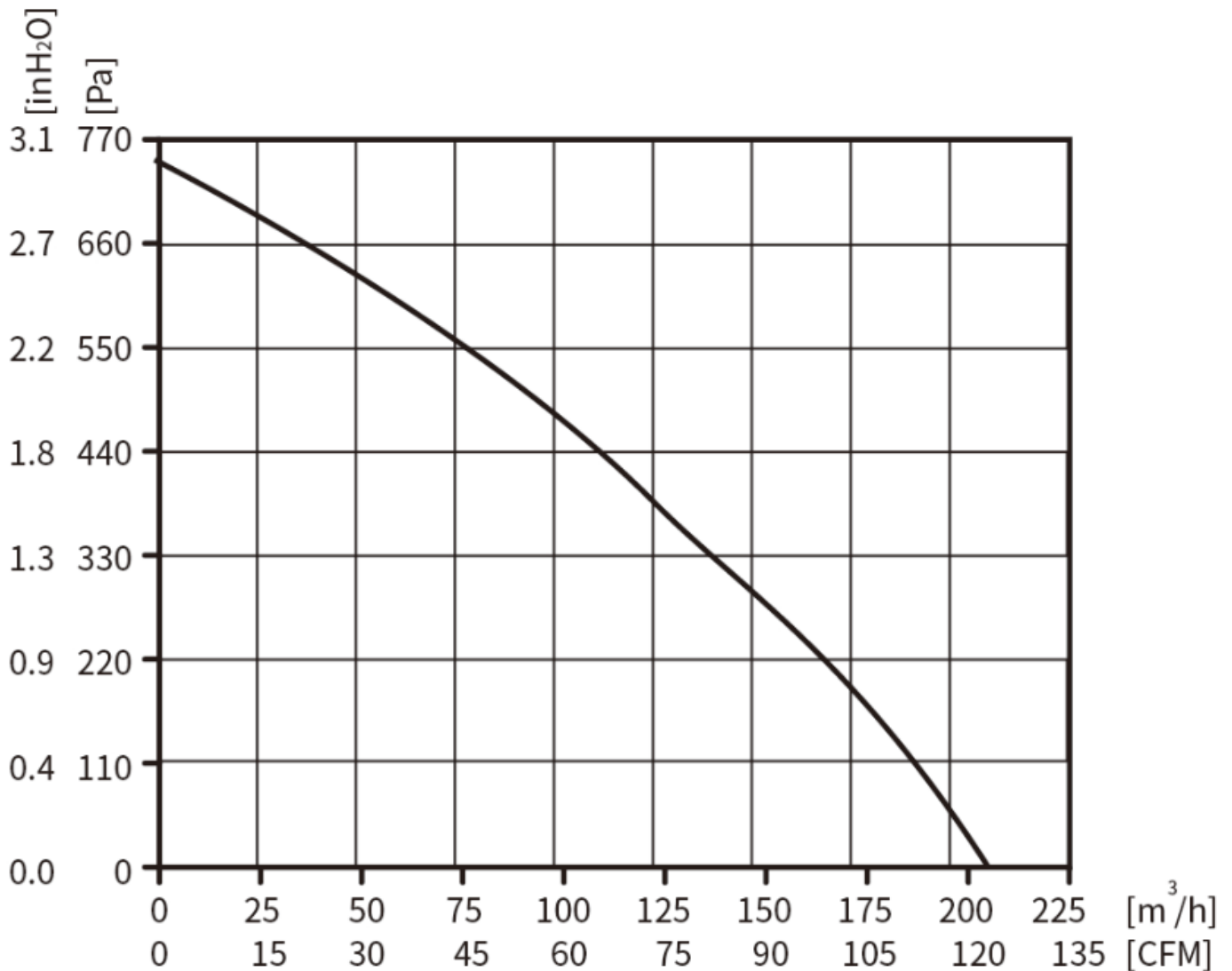
Motor: BE53DC

◆ 2. Mechanical Characters

| | | |
|-----|----------------------|---|
| 2-1 | Dimension | 145mm X 150mmX 77mm (see dimension drawing) |
| 2-2 | Material of Impeller | PA6+GF |
| 2-3 | Number of Blades | 34 |
| 2-4 | Bearing System | NMB ball bearing |
| 2-5 | Lead Wire | AC(AWG20#), DC(AWG22 #) |

◆ 3. Environmental Characters

| | | |
|-----|-----------------------|---------------|
| 3-1 | Operating Temperature | -25°C to 60°C |
| 3-2 | Storage Temperature | -40°C to 75°C |
| 3-3 | Operating Humidity | 5% to 90% RH |
| 3-4 | Storage Humidity | 5% to 95% RH |

Model: PS3N097B48M**Motor: BE53DC****◆ 4. Performance Curve****Testing Condition**

Input Voltage----Operating voltage (48VDC)

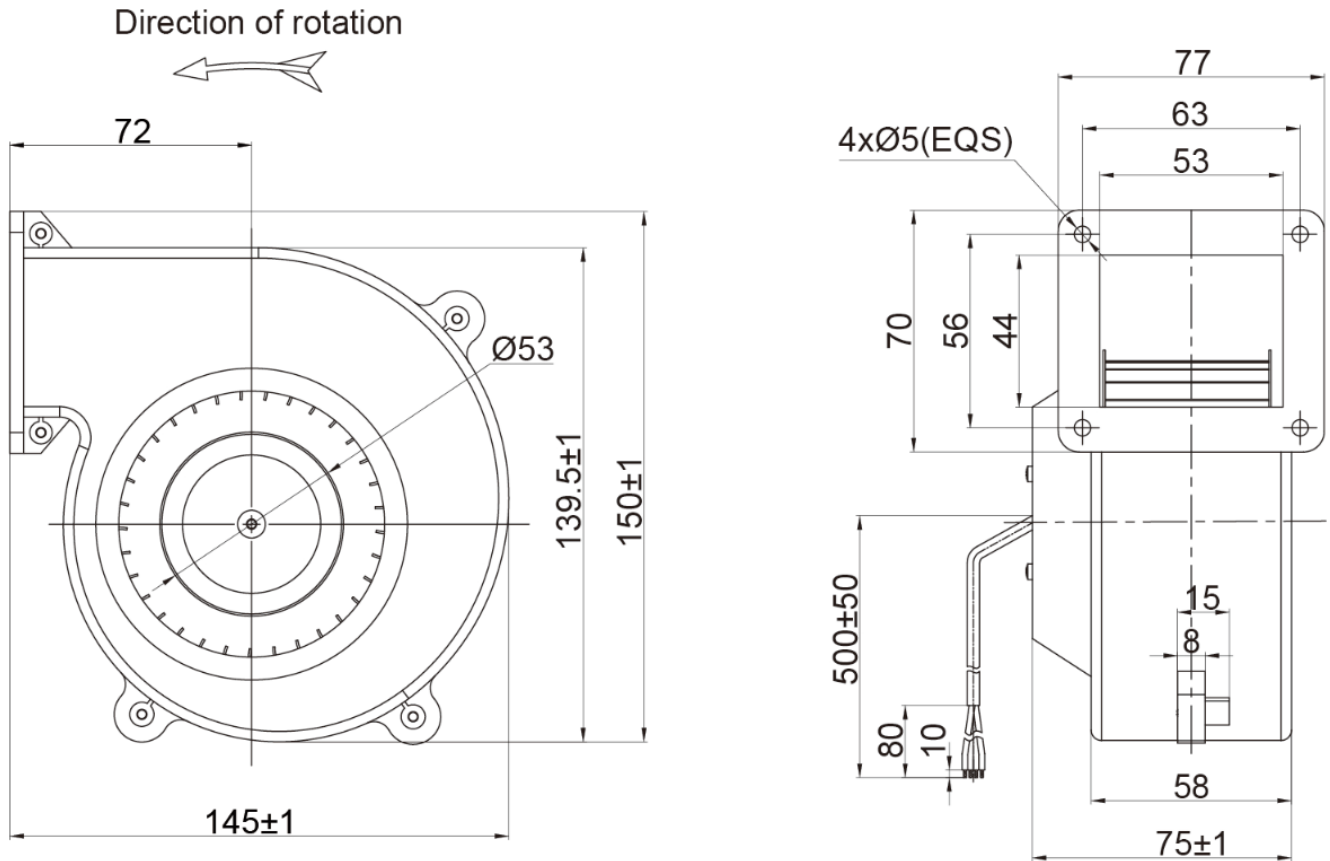
Temperature-----Room temperature

Humidity-----65%RH

Model: PS3N097B48M

Motor: BE53DC

◆ 5. Outline Drawing



Note

- 1.Connection line:DC(4×AWG22#)
- 2.DC: Red=Voltage Input 48VDC, Yellow=0-10VDC/PWM, White=FG, Blue=GND;