

Model: PB3N400B2EX

Motor: BE102EC

◆ 1. General Characters

| | | |
|------|-------------------|--|
| 1-1 | Rated Voltage | 230 VAC |
| 1-2 | Frequency | 50/60 Hz |
| 1-3 | Operating Voltage | 184~276 VAC |
| 1-4 | Rated Speed | 1360 RPM |
| 1-5 | Input Current | 1.3 A |
| 1-6 | Input Power | 300 W |
| 1-7 | Air Flow | 2236.30 CFM / 3800 m ³ /H |
| 1-8 | Static Pressure | 2.24 inH ₂ O / 560 Pa |
| 1-9 | Acoustical Noise | 72 dB(A) |
| 1-10 | Life Expectance | 50,000 Hours(L10) At 40°C room, humidity 15%~65%RH. |
| 1-11 | Insulation Class | Class B |
| 1-13 | Motor Protection | Locked rotor protection Polarity protection Automatic restart capability |
| 1-14 | Speed Control | Control input 0~10VDC / PWM |
| 1-15 | Protection Type | IP44 |
| 1-17 | Signal Output | FG (Frequency Generator) |

Model: PB3N400B2EX**Motor: BE102EC****◆ 2. Mechanical Characters**

| | | |
|-----|----------------------|--|
| 2-1 | Dimension | Ø400mm X 230mm (see dimension drawing) |
| 2-2 | Material of Impeller | Aluminium Sheet |
| 2-3 | Number of Blades | 6 |
| 2-4 | Bearing System | NMB ball bearing |
| 2-5 | Lead Wire | AC(AWG20#), DC(AWG22 #) |

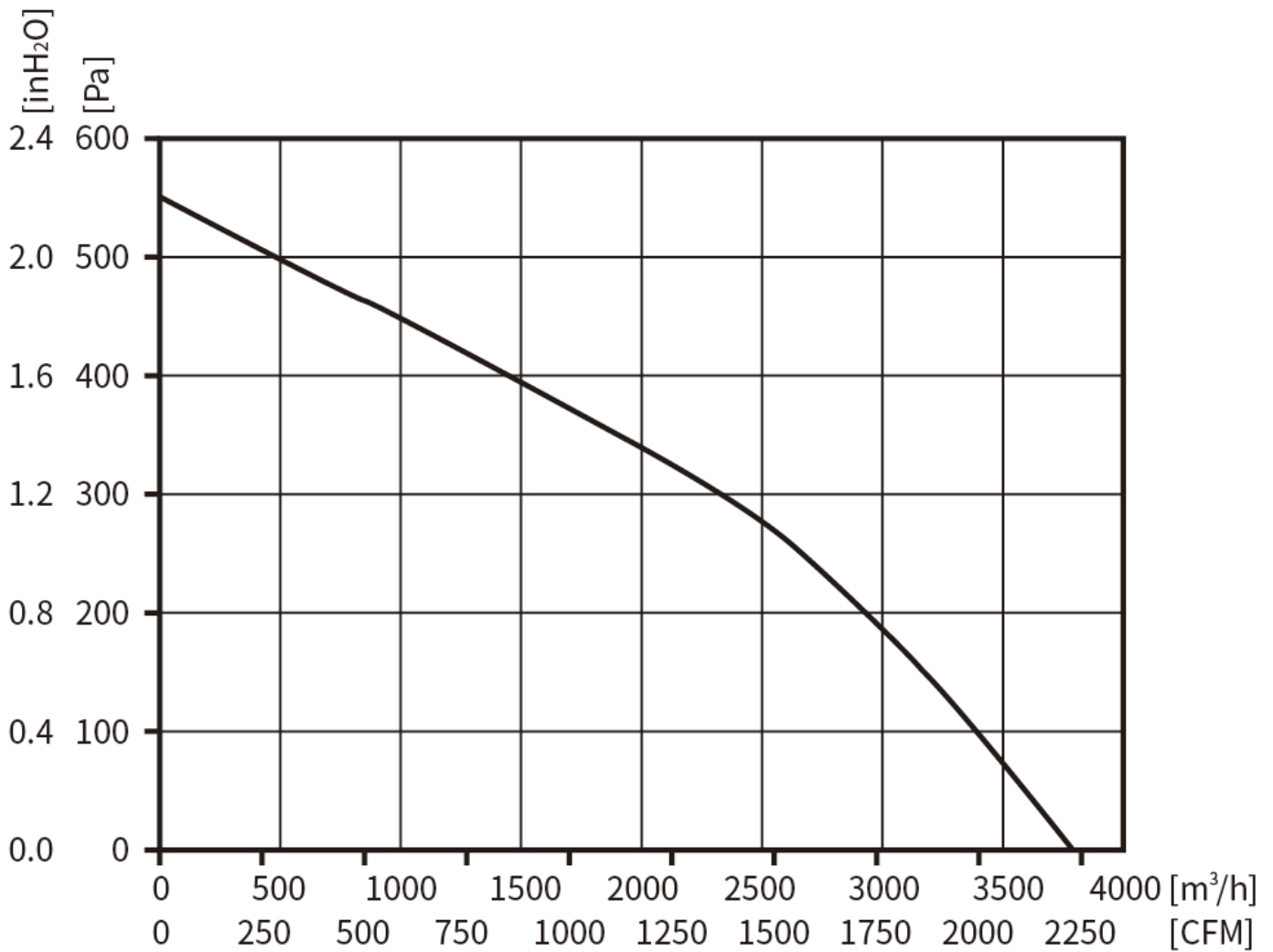
◆ 3. Environmental Characters

| | | |
|-----|-----------------------|---------------|
| 3-1 | Operating Temperature | -25°C to 60°C |
| 3-2 | Storage Temperature | -40°C to 75°C |
| 3-3 | Operating Humidity | 5% to 90% RH |
| 3-4 | Storage Humidity | 5% to 95% RH |

Model: PB3N400B2EX

Motor: BE102EC

◆ 4. Performance Curve



Testing Condition

Input Voltage----Operating voltage (230VAC/50Hz)

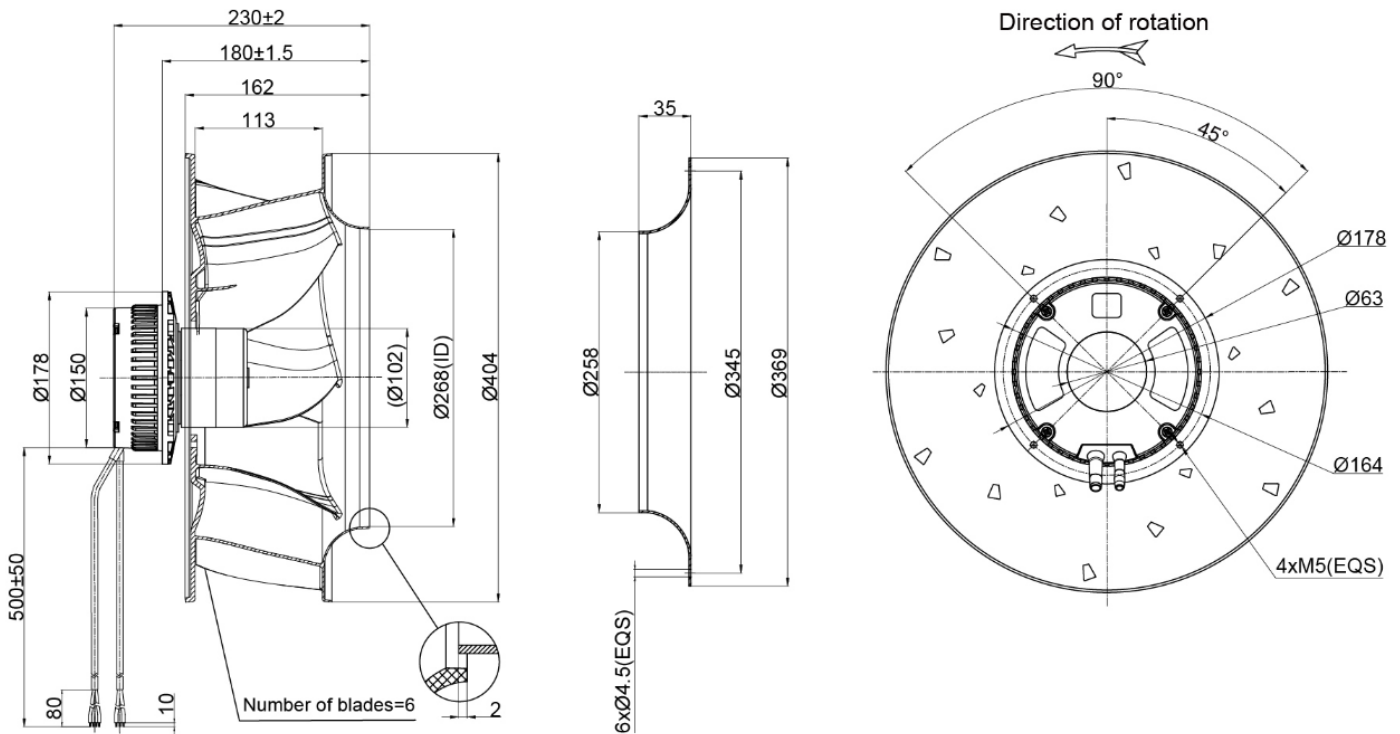
Temperature-----Room temperature

Humidity-----65%RH

Model: PB3N400B2EX

Motor: BE102EC

◆ 5. Outline Drawing



Note

- 1.Connection line: AC(3×AWG20#) , DC(4×AWG22#)
- 2.AC: Brown=Live Line , Blue=Null Line , Green & Yellow=Protecting Earthing;
- 3.DC: Red=Voltage Output +10VDC, Yellow=0-10VDC/PWM, White=FG, Blue=GND;