

Model: PD3N280B4EM

Motor: BE138EC

◆ 1.General Characters

1-1	Rated Voltage	380 VAC
1-2	Frequency	50/60 Hz
1-3	Operating Voltage	304~456 VAC
1-4	Rated Speed	800 RPM
1-5	Input Current	1.1 A
1-6	Input Power	600 W
1-7	Air Flow	2412.85 CFM / 4100 m ³ /H
1-8	Static Pressure	3.56 inH ₂ O / 890 Pa
1-9	Acoustical Noise	72 dB(A)
1-10	Life Expectance	50,000 Hours(L10) At 40°C room, humidity 15%~65%RH.
1-11	Insulation Class	Class B
1-13	Motor Protection	Locked rotor protection Polarity protection Automatic restart capability
1-14	Speed Control	Control input 0~10VDC / PWM
1-15	Protection Type	IP44
1-17	Signal Output	FG (Frequency Generator)

Model: PD3N280B4EM

Motor: BE138EC

◆ 2. Mechanical Characters

2-1	Dimension	Ø280mm X 232mm (see dimension drawing)
2-2	Material of Impeller	Galvanized Metal Shell
2-3	Number of Blades	38
2-4	Bearing System	NMB ball bearing
2-5	Lead Wire	AC(AWG20#), DC(AWG22 #)

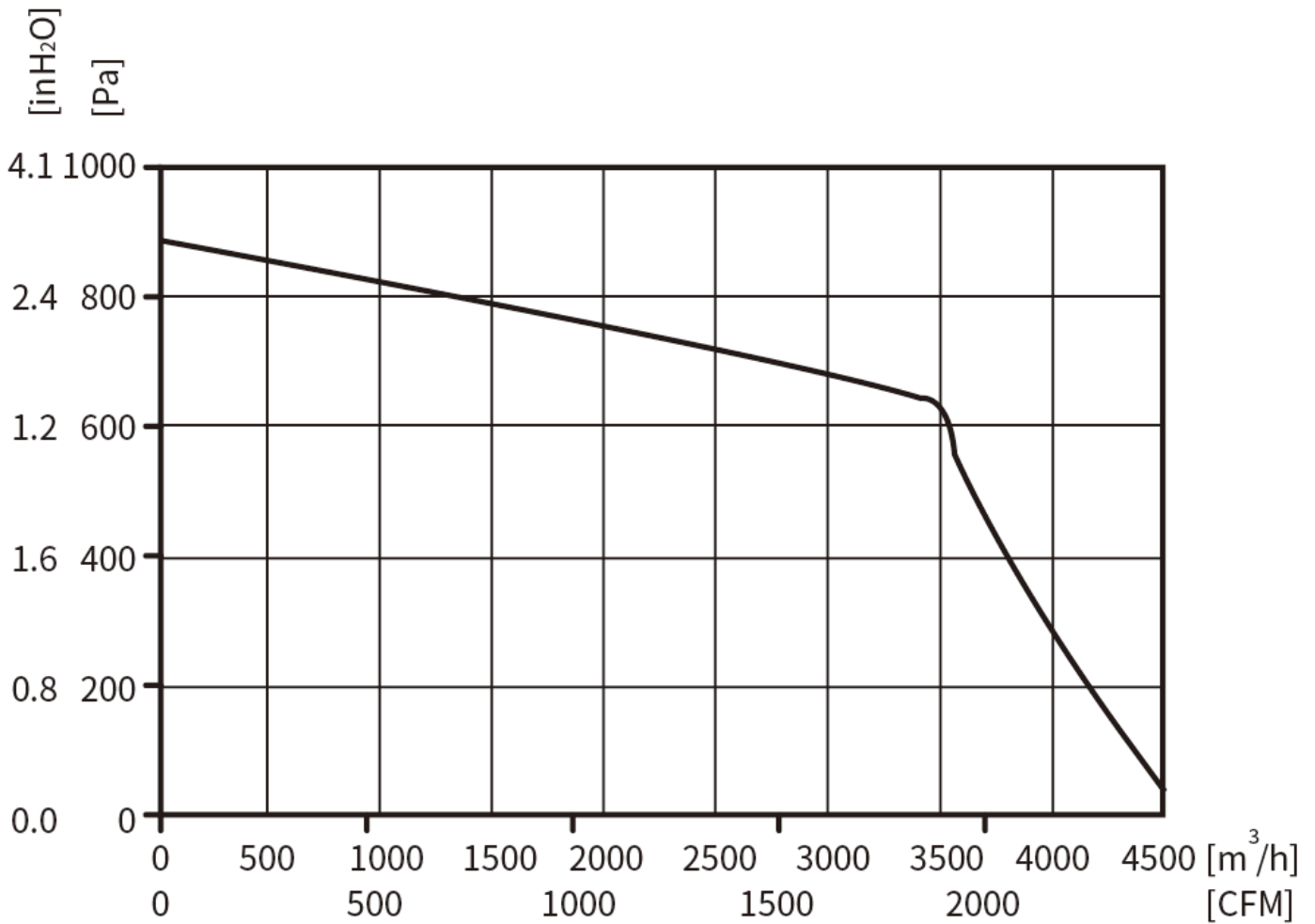
◆ 3. Environmental Characters

3-1	Operating Temperature	-25°C to 60°C
3-2	Storage Temperature	-40°C to 75°C
3-3	Operating Humidity	5% to 90% RH
3-4	Storage Humidity	5% to 95% RH

Model: PD3N280B4EM

Motor: BE138EC

◆ 4. Performance Curve



Testing Condition

Input Voltage----Operating voltage (380VAC/50Hz)

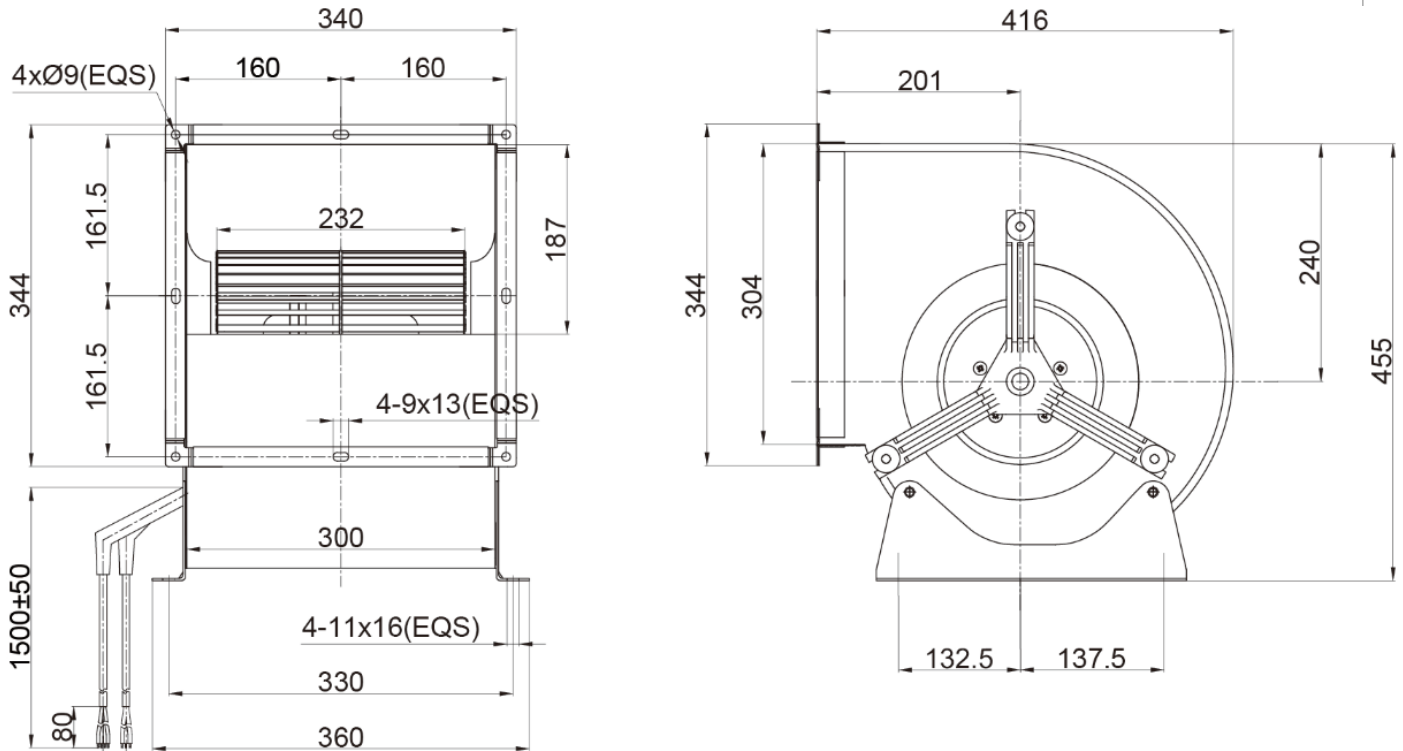
Temperature-----Room temperature

Humidity-----65%RH

Model: PD3N280B4EM

Motor: BE138EC

◆ 5. Outline Drawing



Note

- 1.Connection line: AC($3 \times$ AWG20#) , DC($4 \times$ AWG22#)
- 2.AC: Brown=Live Line , Blue=NULL Line , Green & Yellow=Protecting Earthing;
- 3.DC: Red=Voltage Output +10VDC, Yellow=0-10VDC/PWM, White=FG, Blue=GND;