

# Model: PS3N180B2EM

Motor: BE92EC

## ◆ 1.General Characters

1-1	Rated Voltage	230 VAC
1-2	Frequency	50/60 Hz
1-3	Operating Voltage	184~276 VAC
1-4	Rated Speed	1500 RPM
1-5	Input Current	1.2 A
1-6	Input Power	170 W
1-7	Air Flow	482.57 CFM /820 m <sup>3</sup> /H
1-8	Static Pressure	3.60 inH <sub>2</sub> O / 900 Pa
1-9	Acoustical Noise	70 dB(A)
1-10	Life Expectance	50,000 Hours(L10) At 40°C room, humidity 15%~65%RH.
1-11	Insulation Class	Class B
1-13	Motor Protection	Locked rotor protection Polarity protection Automatic restart capability
1-14	Speed Control	Control input 0~10VDC / PWM
1-15	Protection Type	IP44
1-17	Signal Output	FG (Frequency Generator)

## Model: PS3N180B2EM

Motor: BE92EC

### ◆ 2. Mechanical Characters

2-1	Dimension	279mm X 262mm X 170mm(see dimension drawing)
2-2	Material of Impeller	Galvanized Metal Shell
2-3	Number of Blades	38
2-4	Bearing System	NMB ball bearing
2-5	Lead Wire	AC(AWG20#), DC(AWG22 #)

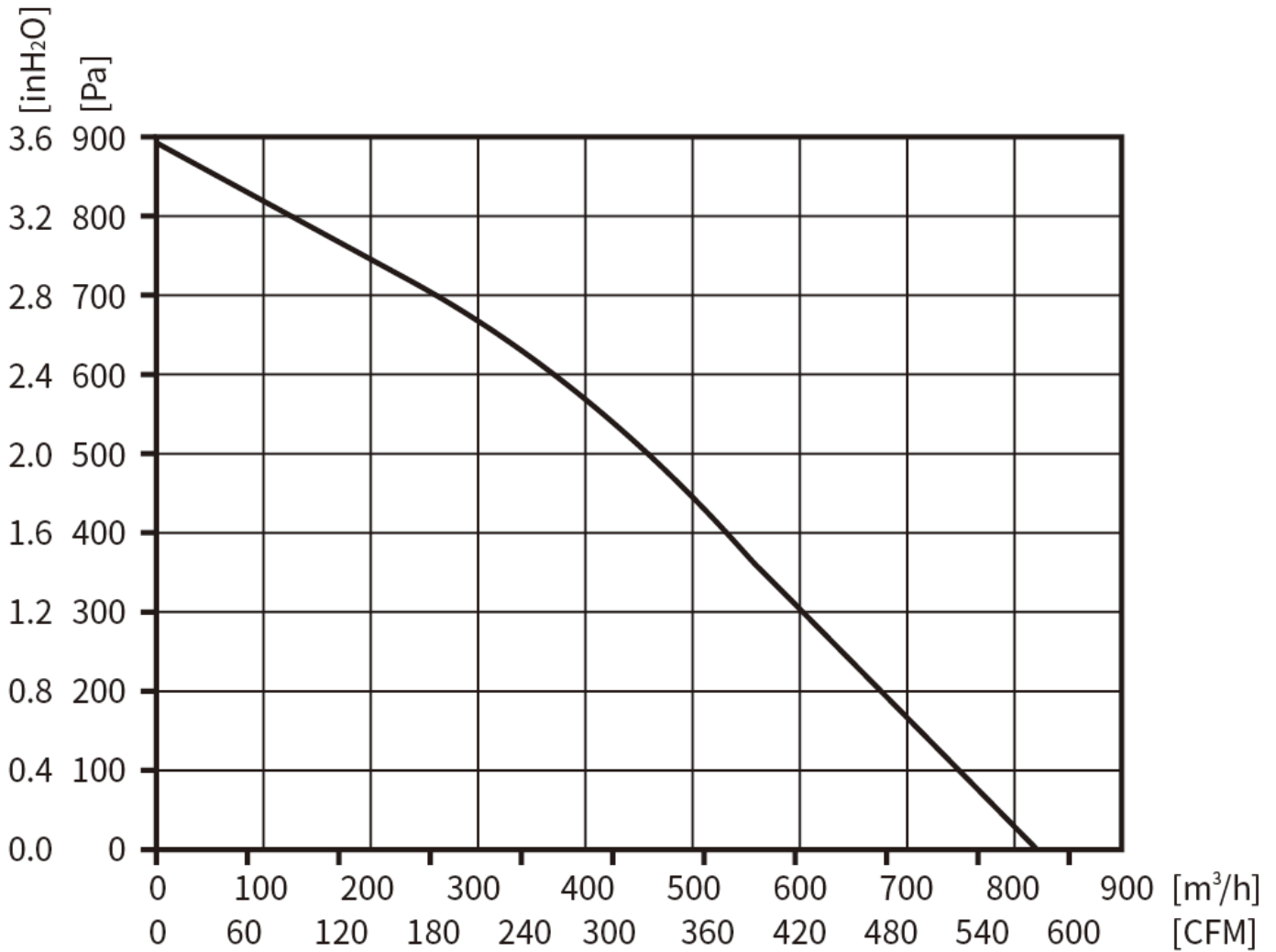
### ◆ 3. Environmental Characters

3-1	Operating Temperature	-25°C to 60°C
3-2	Storage Temperature	-40°C to 75°C
3-3	Operating Humidity	5% to 90% RH
3-4	Storage Humidity	5% to 95% RH

# Model: PS3N180B2EM

Motor: BE92EC

## ◆ 4. Performance Curve



### Testing Condition

Input Voltage----Operating voltage (230VAC/50Hz)

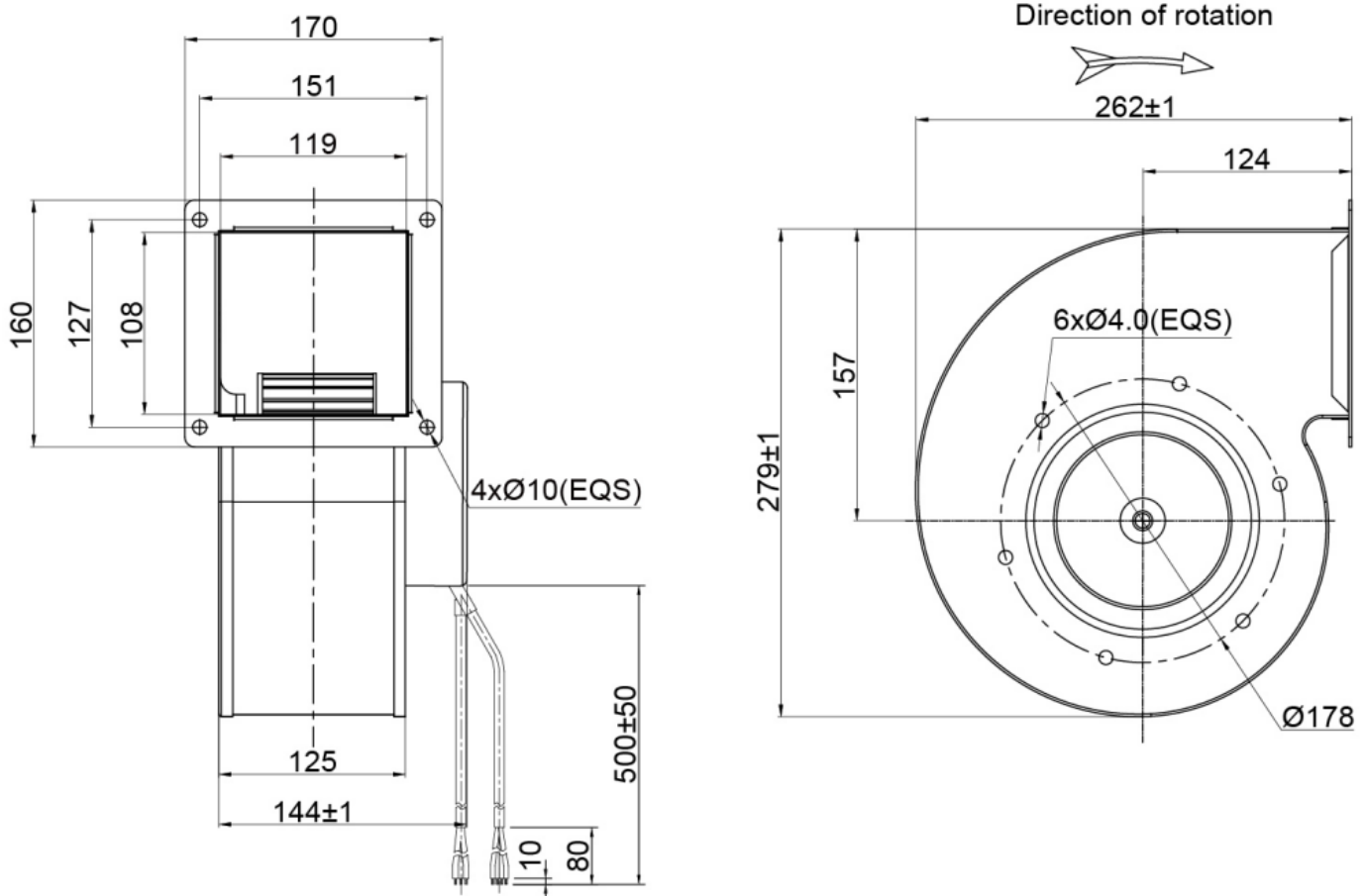
Temperature-----Room temperature

Humidity-----65%RH

## Model: PS3N180B2EM

Motor: BE92EC

### ◆ 5. Outline Drawing



#### Note

- 1.Connection line: AC(3×AWG20#) , DC(4×AWG22#)
- 2.AC: Brown=Live Line , Blue=Null Line , Green & Yellow=Protecting Earthing;
- 3.DC: Red=Voltage Output +10VDC, Yellow=0-10VDC/PWM, White=FG, Blue=GND;