

# Model: PS3N280B4EM

Motor: BE138EC

## ◆ 1.General Characters

|      |                   |  |
|------|-------------------|--|
| 1-1  | Rated Voltage     | 380 VAC  |
| 1-2  | Frequency         | 50/60 Hz   |
| 1-3  | Operating Voltage | 304~456 VAC  |
| 1-4  | Rated Speed       | 1150 RPM   |
| 1-5  | Input Current     | 1.6 A  |
| 1-6  | Input Power       | 950 W  |
| 1-7  | Air Flow          | 1213 CFM / 3000 m <sup>3</sup> /H  |
| 1-8  | Static Pressure   | 4.12 inH <sub>2</sub> O / 650 Pa   |
| 1-9  | Acoustical Noise  | 79 dB(A)   |
| 1-10 | Life Expectance   | 50,000 Hours(L10)<br>At 40°C room, humidity 15%~65%RH.                         |
| 1-11 | Insulation Class  | Class B  |
| 1-13 | Motor Protection  | Locked rotor protection<br>Polarity protection<br>Automatic restart capability |
| 1-14 | Speed Control     | Control input 0~10VDC / PWM  |
| 1-15 | Protection Type   | IP44   |
| 1-17 | Signal Output     | FG (Frequency Generator)   |

## Model: PS3N280B4EM

Motor: BE138EC

### ◆ 2. Mechanical Characters

|     |                      |   |
|-----|----------------------|---|
| 2-1 | Dimension            | 528mm X 485mm X 242mm (see dimension drawing) |
| 2-2 | Material of Impeller | Galvanized Metal Shell                        |
| 2-3 | Number of Blades     | 38  |
| 2-4 | Bearing System       | NMB ball bearing                              |
| 2-5 | Lead Wire            | AC(AWG20#), DC(AWG22 #)                       |

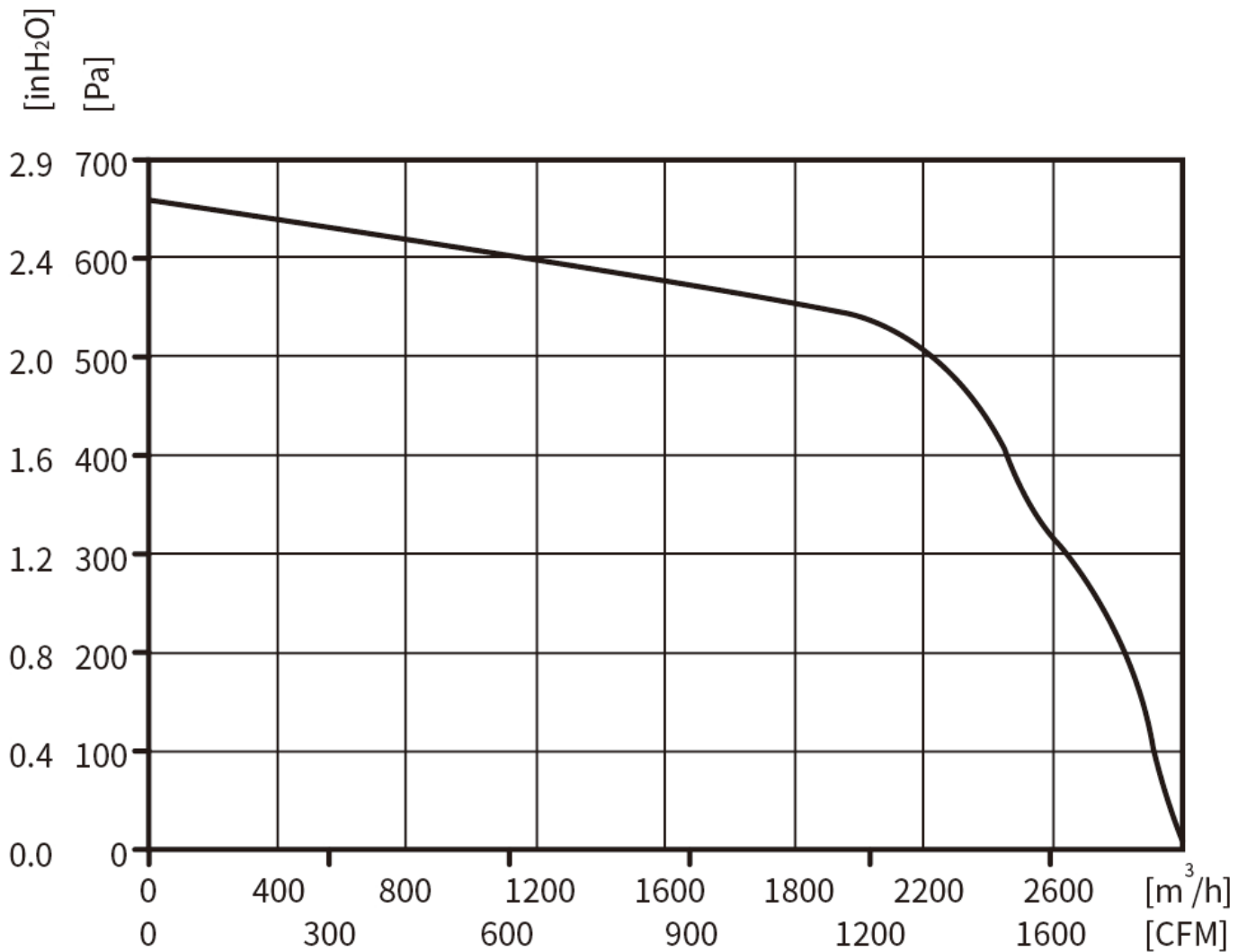
### ◆ 3. Environmental Characters

|     |                       |               |
|-----|-----------------------|---------------|
| 3-1 | Operating Temperature | -25°C to 60°C |
| 3-2 | Storage Temperature   | -40°C to 75°C |
| 3-3 | Operating Humidity    | 5% to 90% RH  |
| 3-4 | Storage Humidity      | 5% to 95% RH  |

# Model: PS3N280B4EM

Motor: BE138EC

## ◆ 4. Performance Curve



### Testing Condition

Input Voltage----Operating voltage (380VAC/50Hz)

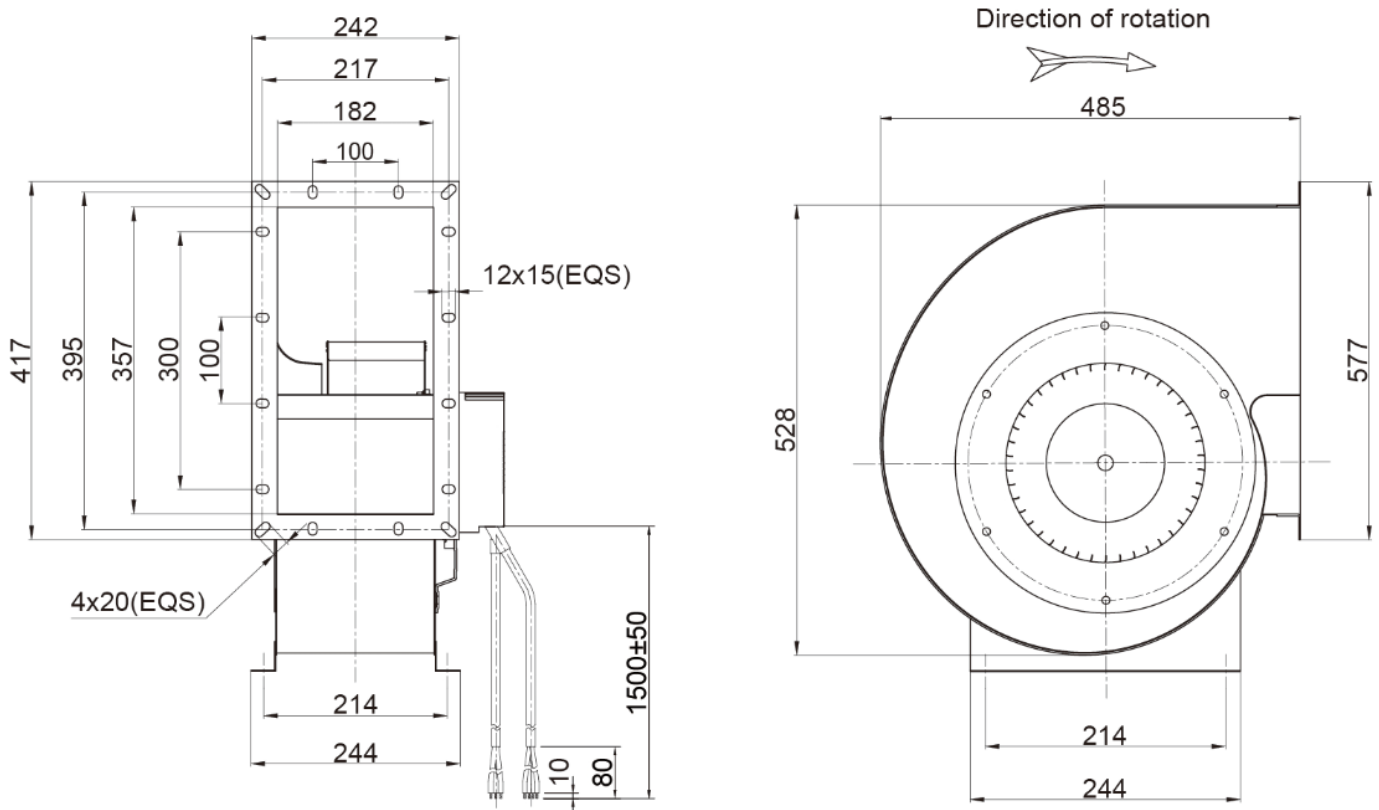
Temperature-----Room temperature

Humidity-----65%RH

## Model: PS3N280B4EM

Motor: BE138EC

### ◆ 5. Outline Drawing



#### Note

- 1.Connection line: AC(3×AWG20#) , DC(4×AWG22#)
- 2.AC: Brown=Live Line , Blue=Null Line , Green & Yellow=Protecting Earthing;
- 3.DC: Red=Voltage Output +10VDC, Yellow=0-10VDC/PWM, White=FG, Blue=GND;