

PBM

SPECIFICATION FOR APPROVAL

Customer: Customer
Model No: PA4010B05H
Motor Type: External rotor DC motor



PBM Motor and Fan (Suzhou) Co., Ltd

Website: www.pbmmf.com

<http://szbjd.en.made-in-china.com>

<http://pbmmf.en.alibaba.com>

EMAIL: XXX@pbmmf.com

TEL: 86-512-68581674

FAX: 86-512-68581574

CELL PHONE: 86-XXX

Factory: No.8, Zhu Street, Suzhou Industrial Park, Suzhou City, P. R. China 215121

Address: No.69, Weixin Road, Suzhou Industrial Park, Suzhou City, Jiangsu Province, P. R. China

Customer Approved

Customer

PBM Checked By

Zepsi

This specification defines the Mechanical and Electrical characteristics of the DC brushless external rotor motorized axial fan.

Model: PA4010B05H

Motor: External rotor DC motor

◆ 1. General Characters

1-1	Rated Voltage	5 VDC
1-2	Start-up Voltage	4.5 VDC (At 25°C POER ON/OFF)
1-3	Operating Voltage	4.5~5.5 VDC
1-4	Rated Speed	8000 RPM
1-5	Input Current	0.22 A
1-6	Input Power	1.1 W
1-7	Air Flow	15.6 m ³ /h / 9.25 CFM
1-8	Static Pressure	49.98 Pa / 0.20 inH ₂ O
1-9	Acoustical Noise	33 dB(A)
1-10	Life Expectance	50,000 Hours At nominal supply voltage, full speed room temperature 40°C.15~65 %RH
1-11	Speed Control	/

◆ 2. Mechanical Characters

2-1	Dimension	40mm*40mm*10mm (See dimension drawing)
2-2	Material of Impeller	Thermal Plastic
2-3	Lead	Red (+) ,Black (-) : UL1007 # 26AWG(300±10mm)
2-4	Mounting Position	Any
2-5	Surface of Rotor	Coated in black
2-6	Bearing System	Ball bearing

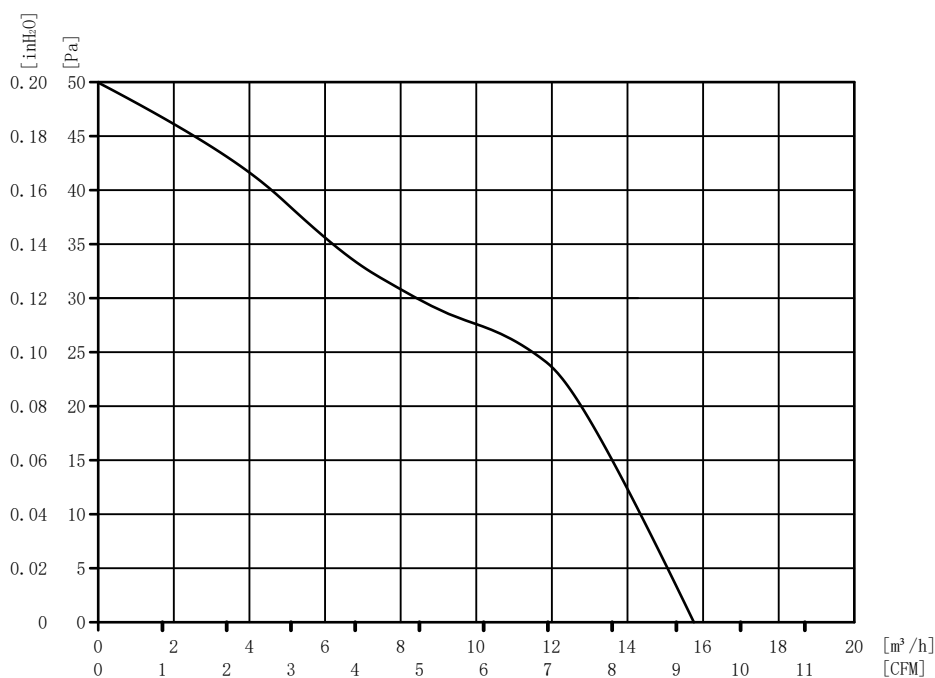
Model: PA4010B05H

Motor: External rotor DC motor

◆ 3. Environmental Characters

3-1	Operating Temperature	-20°C to 65°C
3-2	Storage Temperature	-25°C to 70°C
3-3	Operating Humidity	5% to 90% RH
3-4	Storage Humidity	5% to 95% RH
3-5	RoHS	All the material meets RoHS standard.

◆ 4. Performance Curve



Testing Condition

Input Voltage----Operating voltage (5VDC)

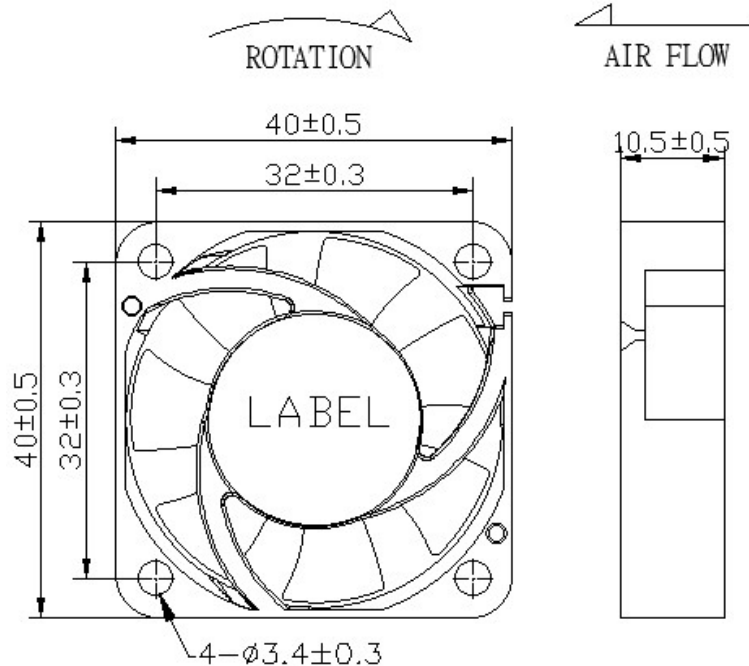
Temperature----Room temperature

Humidity-----65%RH

Model: PA4010B05H

Motor: External rotor DC motor

◆ 5. Outline Drawing



◆ 7. Safety Requirements

1. Make sure that the metal casing of the stator connected to the ground before being powered on.
2. Fan needs a few seconds to start after being powered on. To prevent personal injury, do not touch the impellers or rotor when the power is on or in a low speed.
3. Unless they are instructed by the person(s) responsible for their safety, those who are lack of physical, mental or sensory capacities and proper practical experience or expertise cannot use this appliance. Please do not let the children play with this product.
4. If the power cord be damaged, the power cord must be replaced by the manufacturer in order to avoid accident of the proxy service personnel or the equivalent qualification maintenance personnel.
5. Please carefully read this technical specification before using the product.