

PBM

SPECIFICATION FOR APPROVAL

Customer: Customer
Model No: PA4010B24M
Motor Type: External rotor DC motor



PBM Motor and Fan (Suzhou) Co., Ltd

Website: www.pbmmf.com
<http://szbjd.en.made-in-china.com>
<http://pbmmf.en.alibaba.com>

EMAIL: XXX@pbmmf.com
TEL: 86-512-68581674
FAX: 86-512-68581574
CELL PHONE: 86-XXX
Factory: No.8, Zhu Street, Suzhou Industrial Park, Suzhou City, P. R. China 215121
Address: No.69, Weixin Road, Suzhou Industrial Park, Suzhou City, Jiangsu Province, P. R. China

Customer Approved

Customer

PBM Checked By

Zepsi

This specification defines the Mechanical and Electrical characteristics of the DC brushless external rotor motorized axial fan.

Model: PA4010B24M

Motor: External rotor DC motor

◆ 1. General Characters

1-1	Rated Voltage	24 VDC
1-2	Start-up Voltage	18.0 VDC (At 25°C POER ON/OFF)
1-3	Operating Voltage	18~26.5 VDC
1-4	Rated Speed	6000 RPM
1-5	Input Current	0.05 A
1-6	Input Power	1.2 W
1-7	Air Flow	9.77 m ³ /h
1-8	Static Pressure	34.79 Pa
1-9	Acoustical Noise	24 dB(A)
1-10	Life Expectance	50,000 Hours At nominal supply voltage, full speed room temperature 40°C .15~65 %RH
1-11	Speed Control	/
1-12	Tach Output	/

◆ 2. Mechanical Characters

2-1	Dimension	40mm*40mm*10mm (See dimension drawing)
2-2	Material of Impeller	Plastic
2-3	Lead	Red(+),Black(-): UL1007 #26AWG(300±10mm)
2-4	Mounting Position	Any
2-5	Surface of Rotor	Coated in black
2-6	Bearing System	Ball bearing

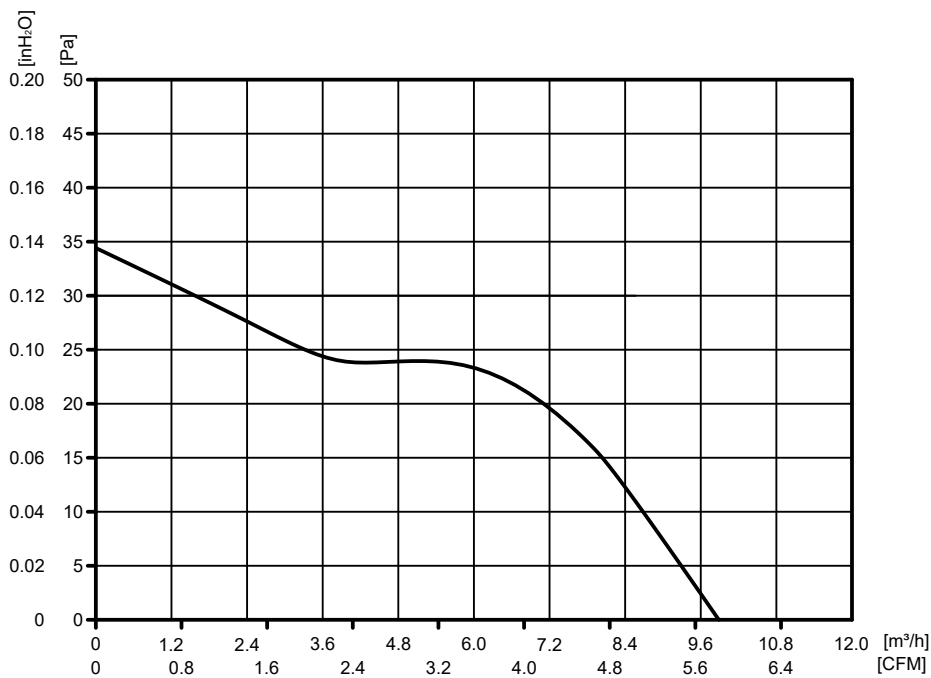
Model: PA4010B24M

Motor: External rotor DC motor

◆ 3. Environmental Characters

3-1	Operating Temperature	-20°C to 70°C
3-2	Storage Temperature	-40°C to 75°C
3-3	Operating Humidity	5% to 95% RH
3-4	Storage Humidity	5% to 95% RH
3-5	RoHS	All the material meets RoHS standard.

◆ 4. Performance Curve



Testing Condition

Input Voltage----Operating voltage (24VDC)

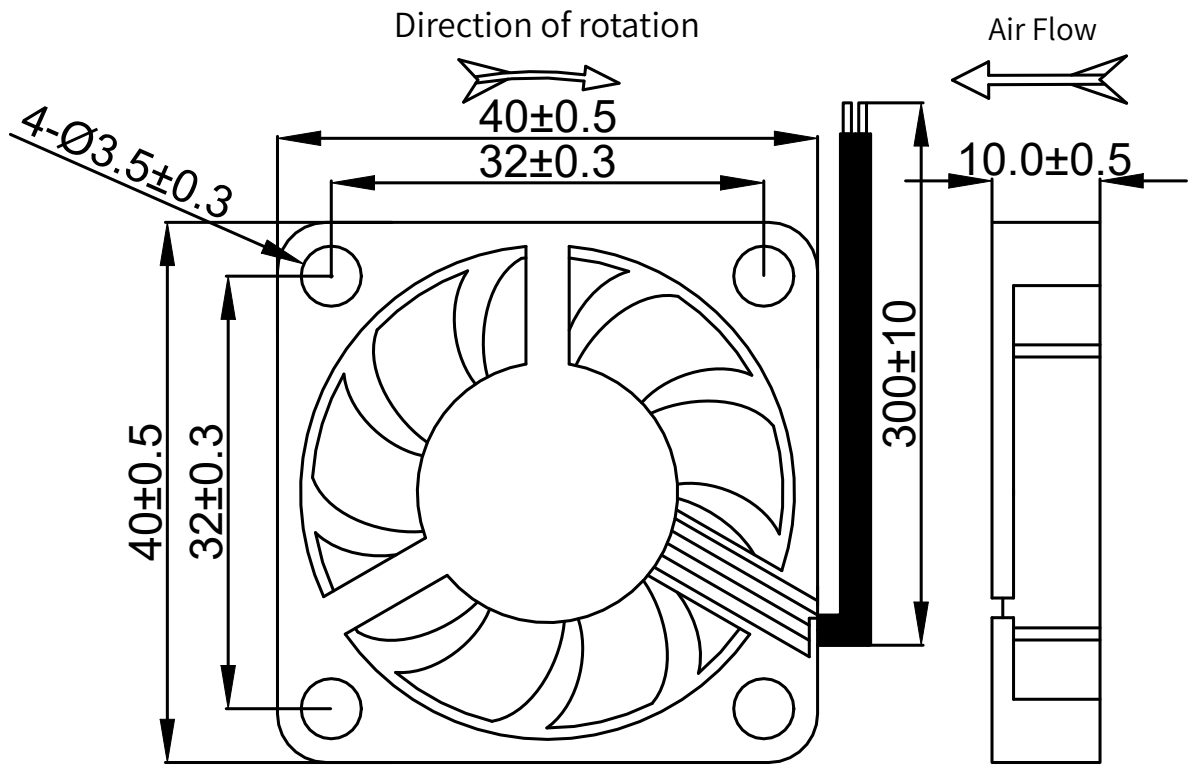
Temperature----Room temperature

Humidity-----65%RH

Model: PA4010B24M

Motor: External rotor DC motor

◆ 5. Outline Drawing



Model: PA4010B24M**Motor: External rotor DC motor****◆ 6. Safety Requirements**

1. Make sure that the metal casing of the stator connected to the ground before being powered on.
2. Fan needs a few seconds to start after being powered on. To prevent personal injury, do not touch the impellers or rotor when the power is on or in a low speed.
3. Unless they are instructed by the person(s) responsible for their safety, those who are lack of physical, mental or sensory capacities and proper practical experience or expertise cannot use this appliance. Please do not let the children play with this product.
4. If the power cord be damaged, the power cord must be replaced by the manufacturer in order to avoid accident of the proxy service personnel or the equivalent qualification maintenance personnel.
5. Please carefully read this technical specification before using the product.